

**EL SERIES  
ELECTRICAL CABLE REELS****APPLICATION**

ReCoila GEN III Electrical reels are the perfect solution to ensuring cables and cords are stored safely when not in use.

When cables and cords are left laying around they are easily damaged resulting in a potential electrocution.

Supplied with a 1.5m - 2m inlet cable, complete with plugs and sockets. The reel is fitted with a thermal overload protection device.

**CORD TYPE** Insulated cable /  
Plug & Sockets  
Complies with  
AS/NZS 3112  
AS/NZ 3120

**MEDIA** Power

**CORES** 2 core + earth

**VAC** 240vac

**AMPS** 10amp & 15amp

**FITTING TYPE** Plug / socket

**WEIGHT** 12kg

**COMPLIANCE** AS/NZS 3112  
AS/NZ 3120



ALWAYS READ THE MANUAL. Failure to follow the correct operating procedures may result in injury. Only use the cable fully uncoiled.

All cable reels should be installed & used in conjunction with an overcurrent protector device, RCD, thermal protector.



EL2402010-D



FOR MORE  
CABLE REELS  
SEE PAGE 81-89  
AND PAGES  
128-144



EL2402010HD

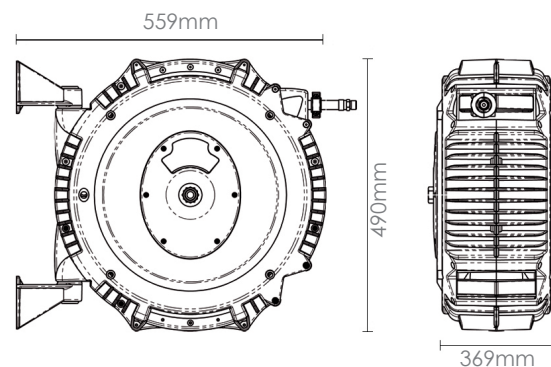


EL2402015

Indoor use Only

**FEATURES**

EL2402010

**DIMENSIONS****EL SERIES**

Model	Plug No's	Socket No's	Core Size	Cable cover	Cable length Main + supply	Amps Max	Volts Max	Watts Max
EL2402010	1 x Male	1 x Female	1.0mm <sup>2</sup>	PVC	20m + 2m	10amp	240vac	2400w
EL2402015	1 x Male	1 x Female	1.5mm <sup>2</sup>	PVC	18m + 2m	15amp	240vac	3600w
EL2402010HD	1 x Male	1 x Female	1.5mm <sup>2</sup>	Braided + PVC	20m + 1.5m	10amp	240vac	2400w
EL2401515HD	1 x Male	1 x Female	1.5mm <sup>2</sup>	Braided + PVC	15m + 1.5m	15amp	240vac	3600w
EL2402010-D	1 x Male	2 x Female	1.5mm <sup>2</sup>	PVC	15m + 2m	10amp	240vac	2400w

= Quick Ship Item, see inside back cover for more information.

\* None portable unit must be placed in position.